

Self-Venting Soundproofed Rackmount Cabinets Models BTAR-42U600x1000 & BTAR-24U600x1000 Self-Assembly Instructions

- We recommend employing **TWO** people for assembly (some parts are heavy) and allow **45 mins**
- **PLEASE READ** these instructions carefully *before starting!*
- It is **VERY IMPORTANT** not to mix up the acoustic materials (some parts are the *same shape* but *different thickness!*)

• TASKS

- Unpack Cabinet & Acoustic Materials**
- Assemble the Rack Frame (preferably *in situ*)**
- Adhere Acoustic Materials to Door Sections**
- Assemble the Doors**
- Adhere Acoustic Materials to Floor Parts & Fit**
- Adhere Acoustic Materials to Roof & Fit**
- Adhere Acoustic Materials to Side Panels & Fit**
- Fit Doors**

Where to Obtain Support

This product has been jointly developed in the UK by Acousti Products (www.acoustiproducts.com) and Black Tiger (www.blacktiger.co.uk). Please use these websites for hardware & technical support enquiries (see FAQs sections for Frequently Asksed Questions).

Should you require further support then please use the following contact details:

Hardware Technical Support

Black Tiger Ltd
www.blacktiger.co.uk
Tel: +44 (0)870 046 0022
Email: info@blacktiger.co.uk

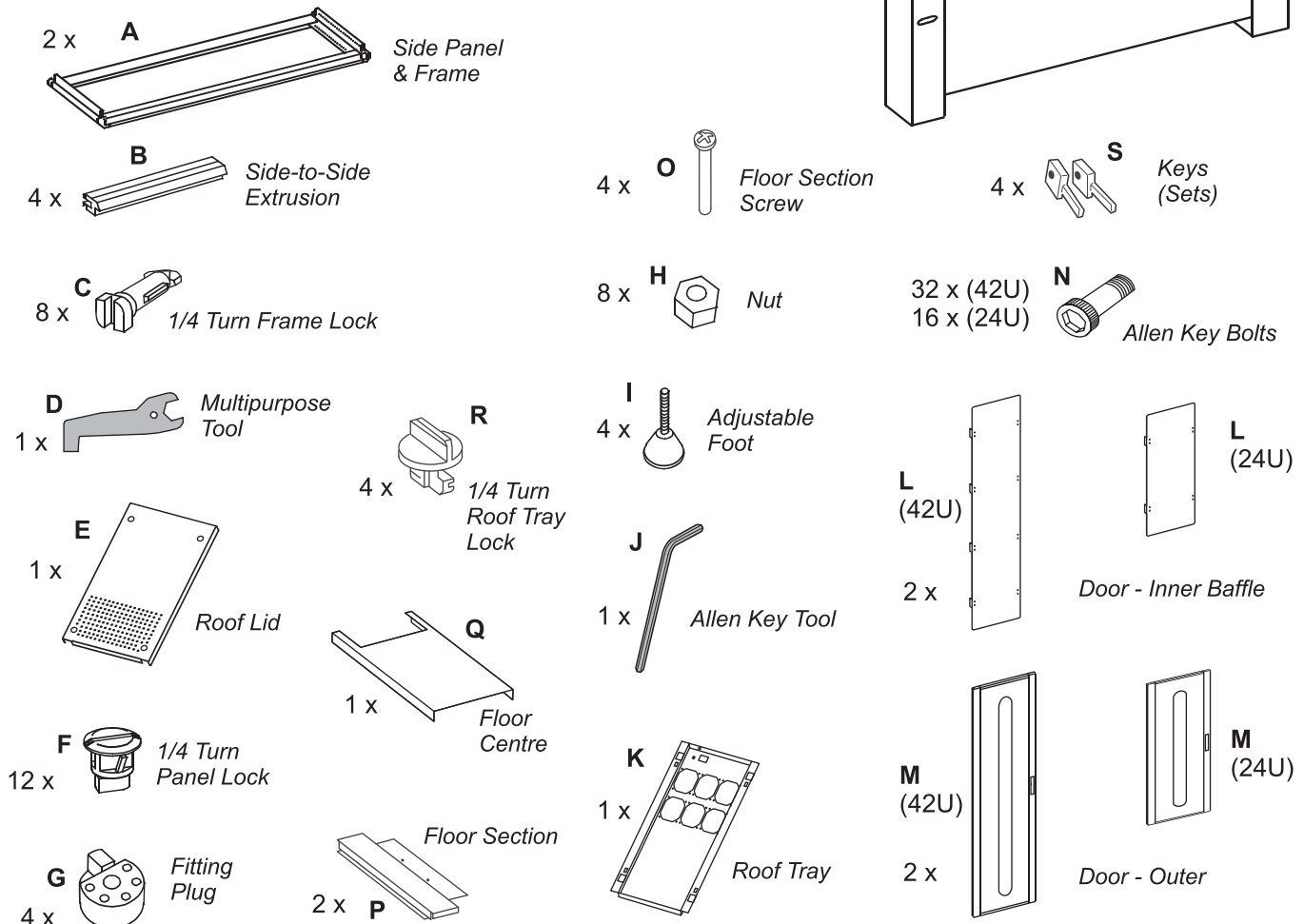
AcoustiRACK™ Technical Support

Acousti Products Ltd
www.acoustiproducts.com
Tel: +44 (0)870 190 4092
Email: info@acoustiproducts.com



Ensure you read the important safety information on Page 6 before installing equipment into the cabinet.

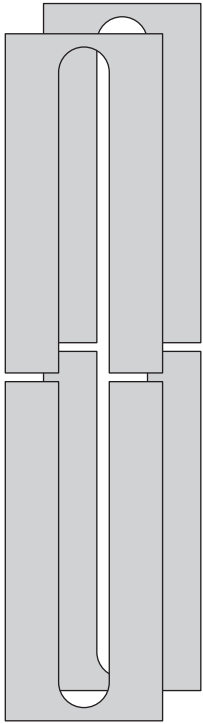
Cabinet Parts



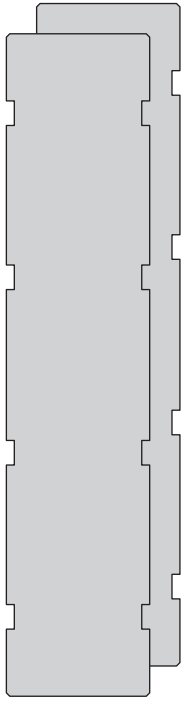
Acoustic Material Parts 42U (TOTAL = 24pcs)

42U Side Panel Parts

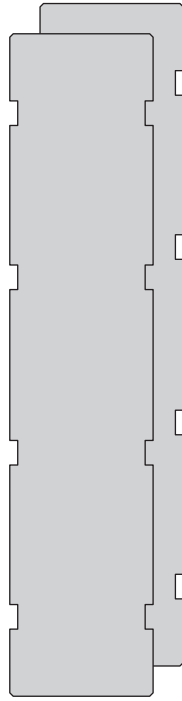
42U Door Parts



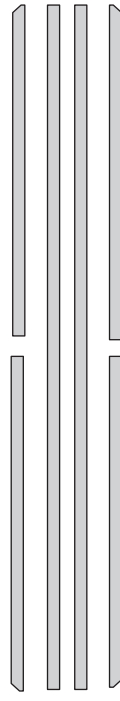
42U-A x4



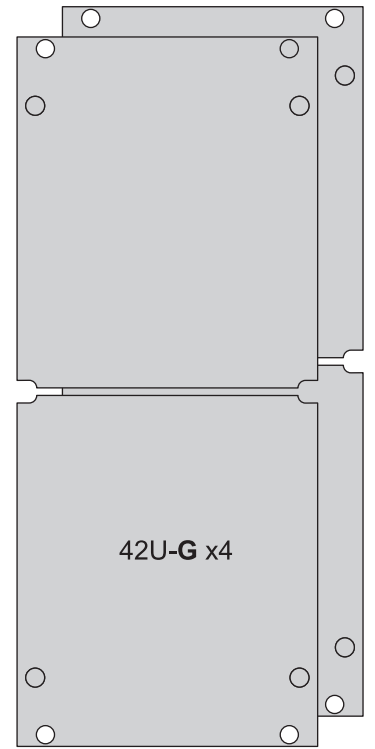
42U-B x2
(7mm)



42U-C x2
(12mm - INSIDE FACING)

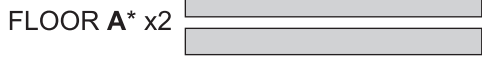


42U-D, E, F x2



42U-G x4

42U & 24U Floor Parts



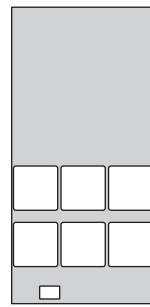
FLOOR A* x2

*These two strips fit under the floor sections either side of Part FLOOR B



FLOOR B x1
(Floor Centre)

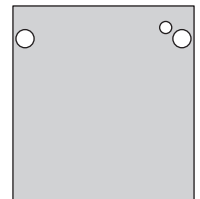
42U & 24U Roof Parts



ROOF A x1
(Roof Tray)



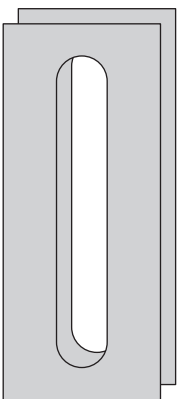
ROOF B x1
(Roof Tray)



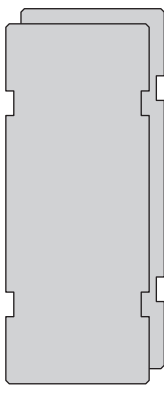
ROOF C x1
(Roof Lid)

Acoustic Material Parts 24U (TOTAL = 22pcs)

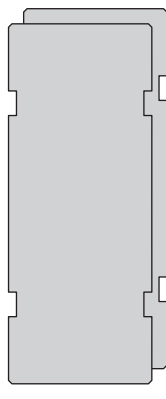
24U Door Parts



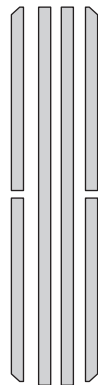
24U-A x2



24U-B x2
(7mm)

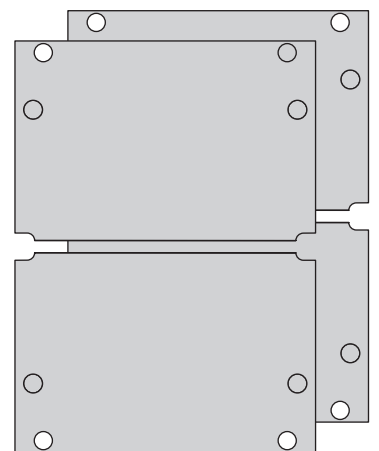


24U-C x2
(17mm INSIDE FACING)



24U-D, E, F x2

24U Side Panel Parts

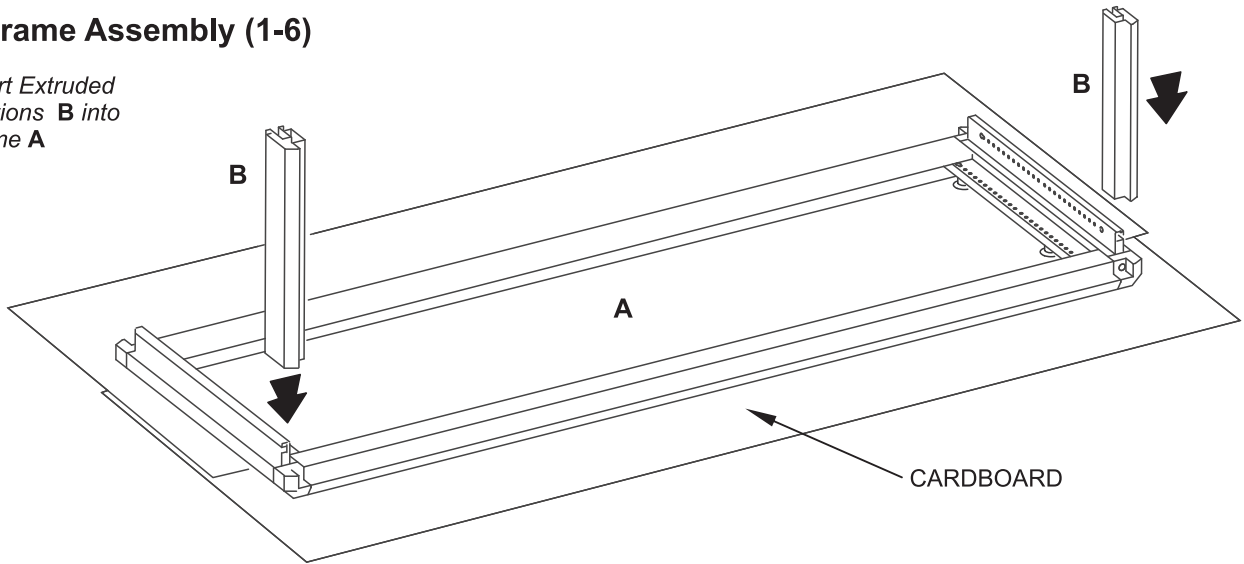


24U-G x4

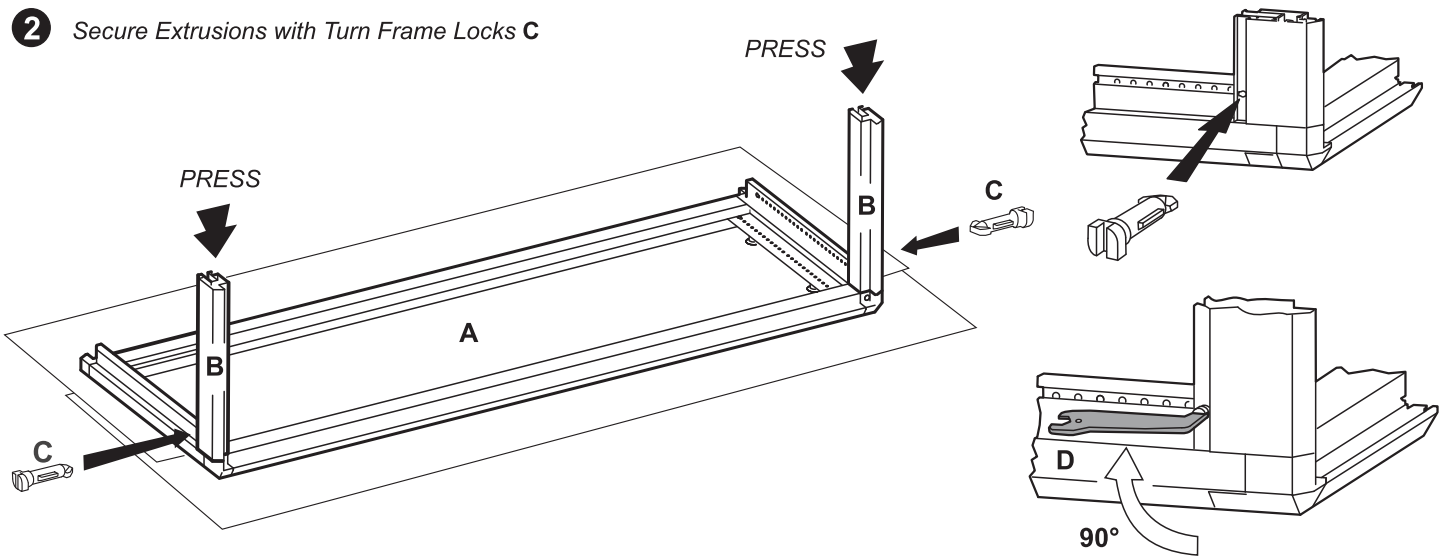
- Notes:**
- We recommend fitting the materials in the order shown, starting with Part A, then B etc etc.
 - Apply the materials at **ROOM TEMPERATURE (>20°C)**
 - ENSURE that all surfaces are **CLEAN** and **DUST-FREE** before the application of materials
 - ENSURE that the materials are **VERY FIRMLY** pressed against the cabinet surface over the entire area of each part

Rack Frame Assembly (1-6)

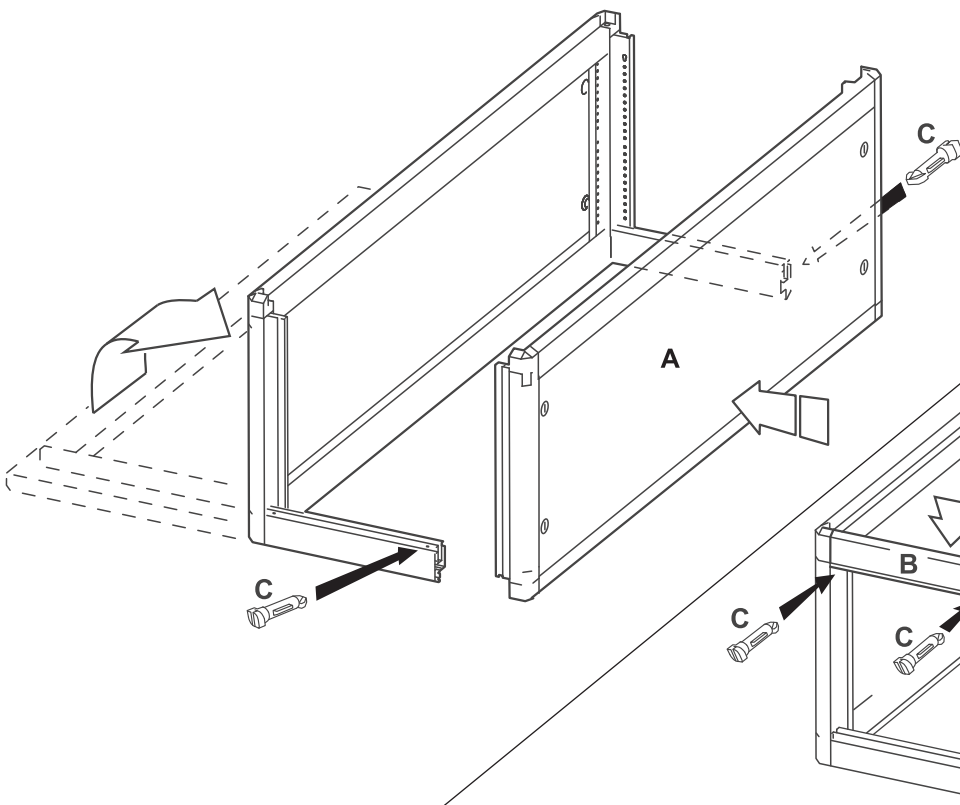
- 1 *Insert Extruded Sections B into Frame A*



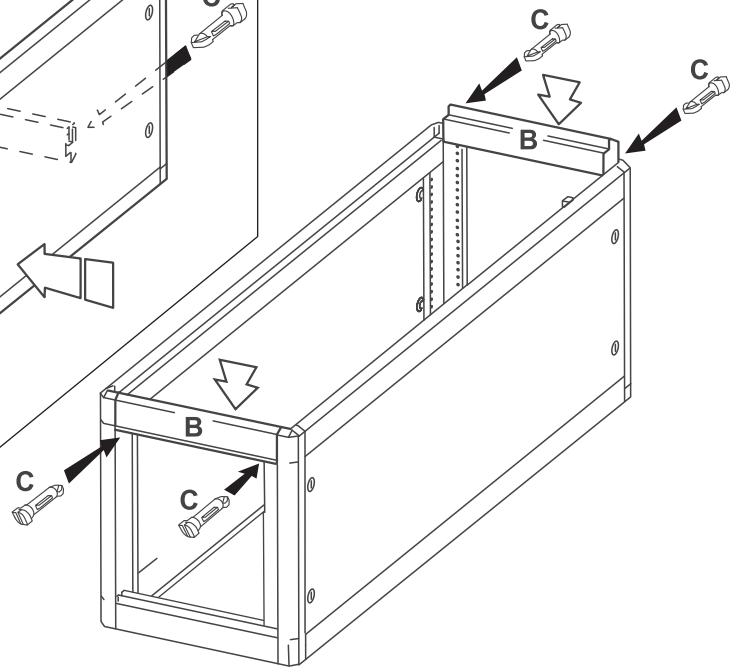
- 2 *Secure Extrusions with Turn Frame Locks C*



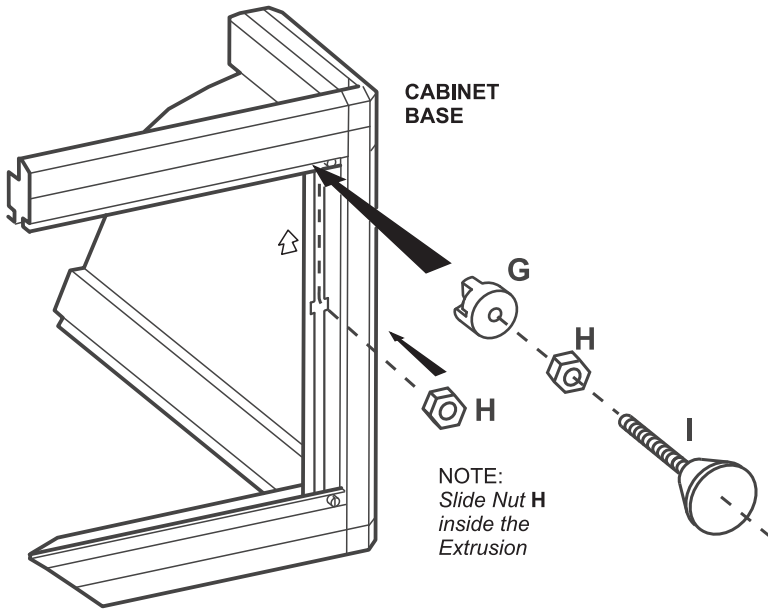
- 3 *Add 2nd Frame & Side Panel*



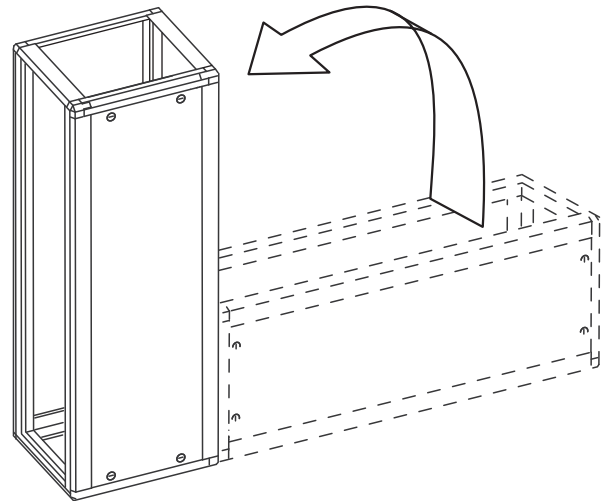
- 4 *Complete Cabinet Frame*



5 Add Adjustable Feet



6 Right Cabinet Frame

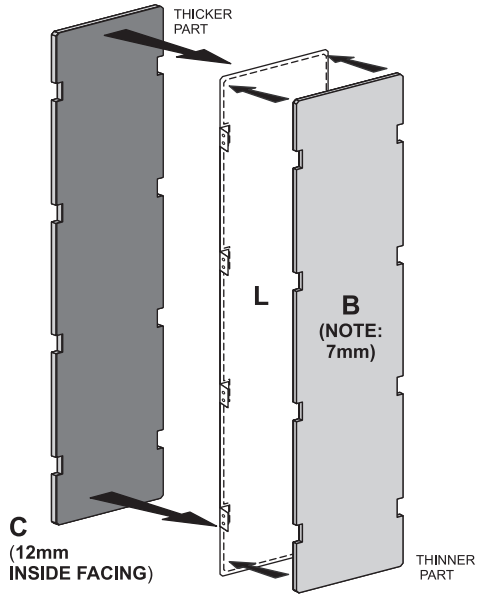


Adhere Acoustic Materials to Door Sections (1-2)

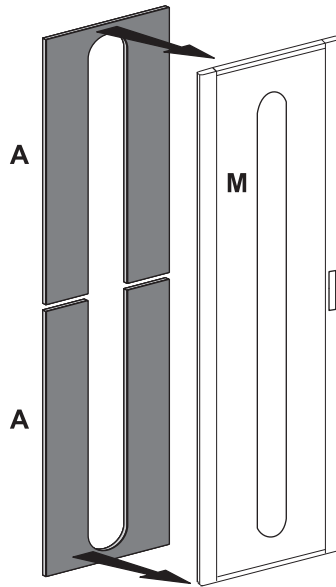
42U DOOR

ADHERE ACOUSTIC MATERIALS BY PRESSING FIRMLY!

1 Adhere Acoustic Material Parts B & C to Door Baffle L

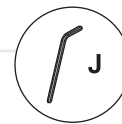
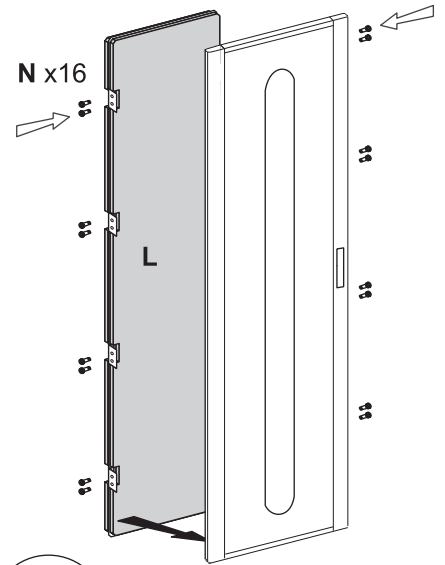


2 Adhere Acoustic Material Part(s) A to Outer Door M

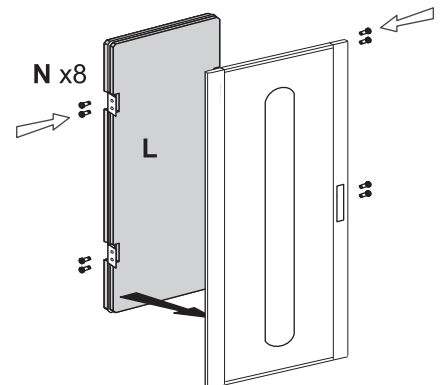
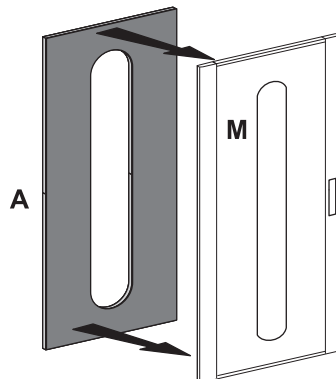
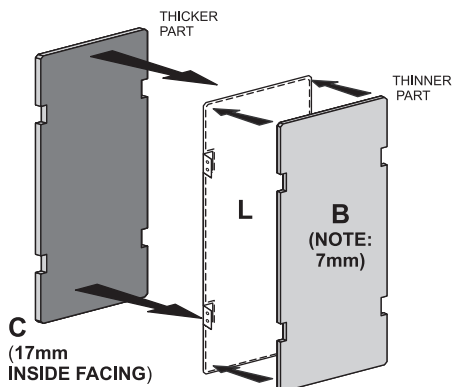


Assemble Door Sections

Secure Inner Baffle to Outer Door using Allen Key Bolts N

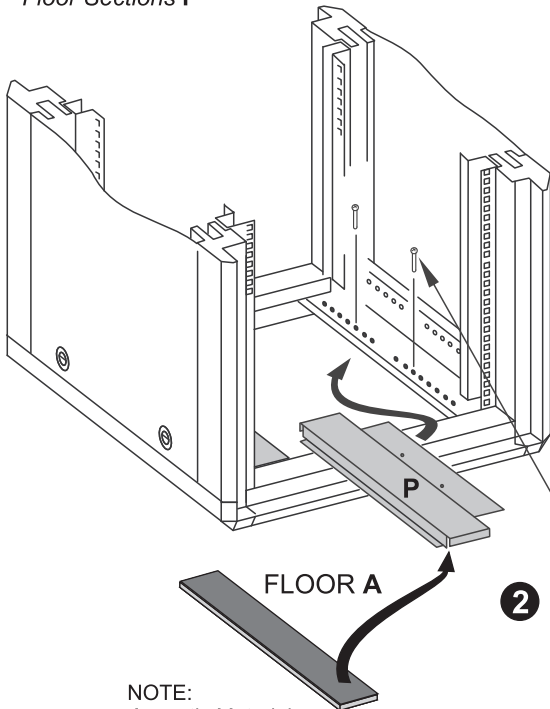


24U DOOR



Adhere Acoustic Materials to Floor Sections & Fit (1-4)

- 1** Adhere Acoustic Materials FLOOR A to Floor Sections P

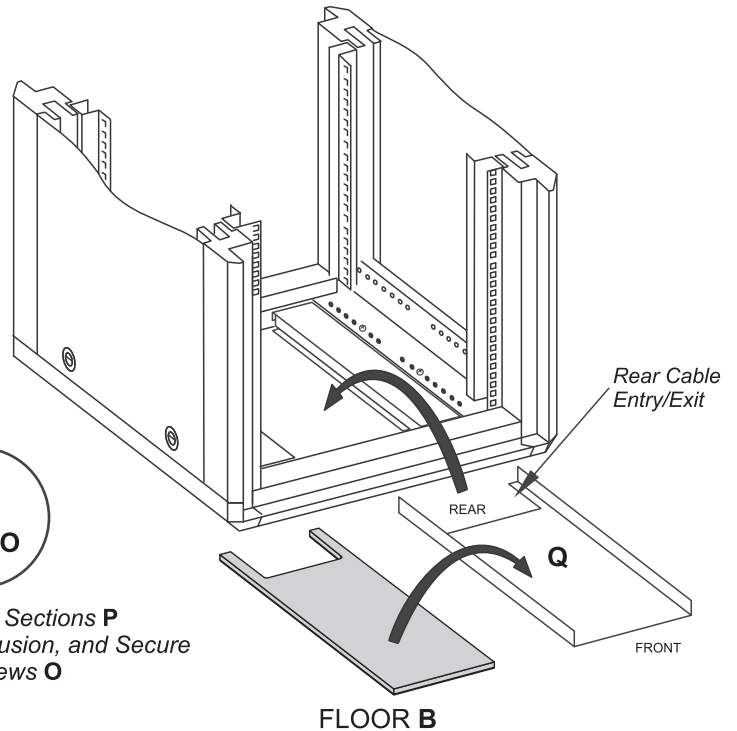


NOTE:
Acoustic Material
Parts FLOOR A Fit
Foam Face **DOWN**

- 2** Fit Floor Sections P into Extrusion, and Secure with Screws O

NOTE:
Screwdriver Required
for Screws O

- 4** Place Floor Section Q into Cabinet Floor (this part is not fixed)

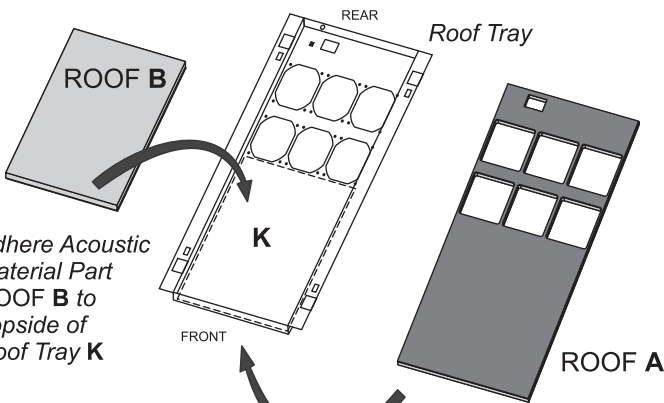


- 3** Adhere Acoustic Material Part FLOOR B to Floor Centre Q

NOTE:
Acoustic Material Part
FLOOR B Fits Foam Face **UP**

Adhere Acoustic Materials to Roof Sections & Fit (1-5)

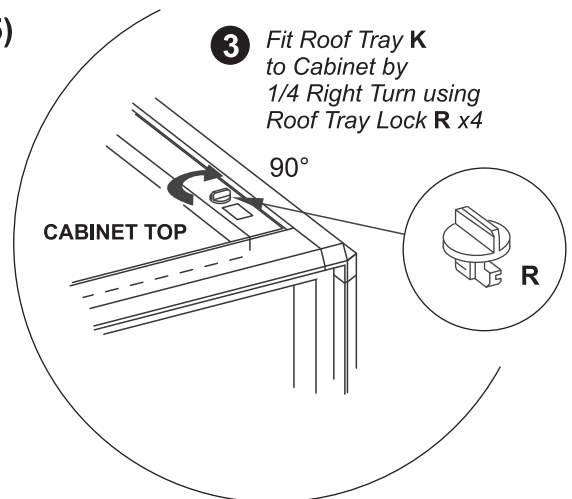
- 2** Adhere Acoustic Material Part ROOF B to Topside of Roof Tray K



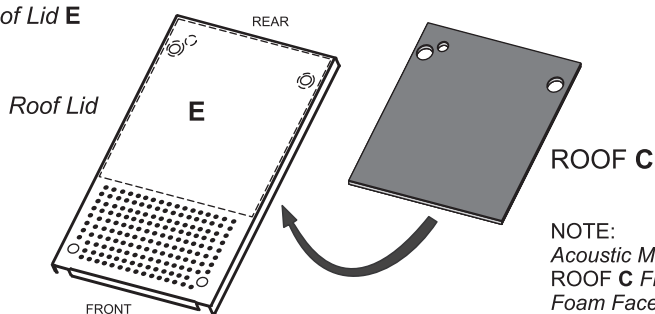
- 1** Adhere Acoustic Material Part ROOF A to Underside of Roof Tray K

NOTE:
Acoustic Material Part
ROOF A Fits Foam Face **DOWN**

- 3** Fit Roof Tray K to Cabinet by 1/4 Right Turn using Roof Tray Lock R x4



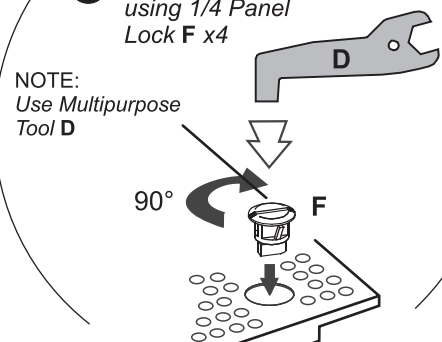
- 4** Adhere Acoustic Material Part ROOF C to Underside of Roof Lid E



NOTE:
Acoustic Material Part
ROOF C Fits
Foam Face **DOWN**

- 5** Fit Roof Lid E to Cabinet using 1/4 Panel Lock F x4

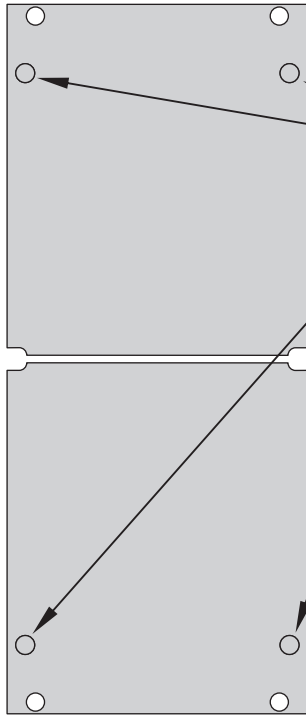
NOTE:
Use Multipurpose
Tool D



Adhere Acoustic Materials to Side Panels & Fit (1-4)

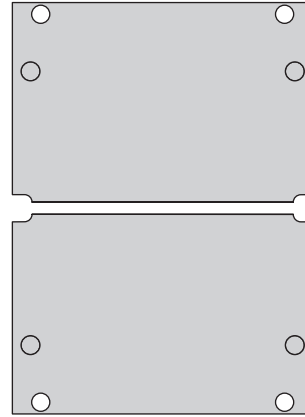
- 2** Using Acoustic Material Parts G x2, Adhere to Inside of Side Panel A in Orientation Shown Below

ADHERE ACOUSTIC MATERIALS BY PRESSING FIRMLY!



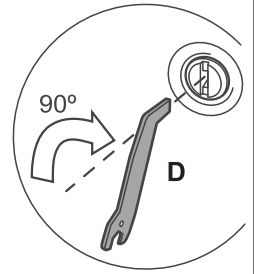
42U-G

- 3** Remove Small 'Push-out' Circle where Earthing Tags are Located.



24U-G

- 1** Remove Side Panels Using Tool D



We Recommend Placing Side Panels onto Cardboard (to Protect Surfaces)

- 4** Fit Side Panels to Cabinet Using Tool D

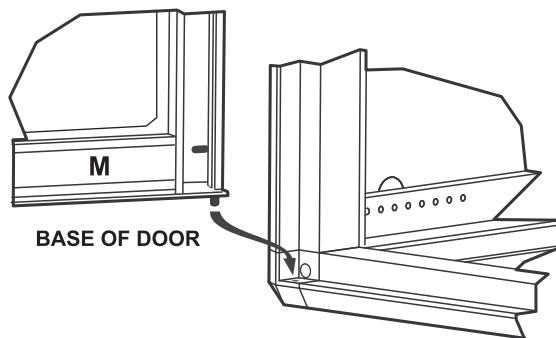
CAUTION 42U SIDE IS HEAVY!

NOTE:
Side Panels may be Secured using Key Locks S



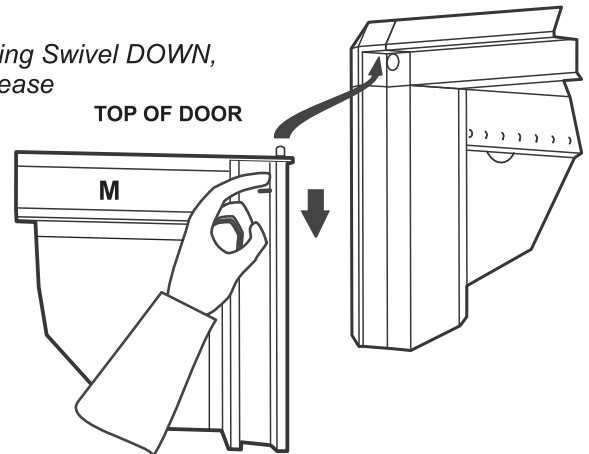
Fit Doors (1-2) **CAUTION 42U DOOR IS HEAVY!**

- 1** Insert Spring Swivel into Hole



BASE OF DOOR

- 2** Pull Spring Swivel DOWN, and Release



TOP OF DOOR

M

READ THIS BEFORE INSTALLING EQUIPMENT IN TO THE CABINET!

- ONLY position the acoustic materials as directed in these instructions and as depicted.
- DO NOT cover any ventilation holes or obstruct ventilation spacings in the cabinet.
- DO NOT position the cabinet close to a permanent heat source, such as a radiator, or close to an airflow obstruction, such as a wall. Leave an adequate gap around the cabinet to allow free movement of air into and air out from the cabinet.
- DO NOT position acoustic materials inside the cabinet in such a way that may inhibit the correct functioning of any equipment. Pay special attention to the possible obstruction of equipment air intake/exhaust vents.
- Whilst every care has been taken to produce a set of acoustic materials and cabinet design that will be appropriate for the majority of equipment configurations, it is the responsibility of the system builder to thoroughly test and monitor installed equipment.

ALL EQUIPMENT INSTALLED INSIDE AN AcoustiRACK™ IS DONE SO AT THE RISK OF THE INSTALLER. WE RECOMMEND INSTALLED EQUIPMENT IS REGULARLY CHECKED AND MONITORED.

v BTAR 1.0